

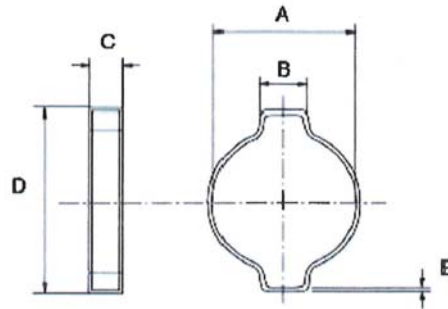
Bright galvanised steel (W1).

Quick and safe assembly: the two parts are simply pressed together.

Material Bright galvanised steel (W1)



157 E



Two-ear hose clamps, bright galvanised steel

Art. No.	Ident No.	Clamping range mm	Band width mm	A mm	B mm	C mm	D mm	E mm
157 A	114125	5.0 – 7.0	6.0	7.3	4.3	6.0	11.0	0.6
157 B	114126	7.0 – 9.0	6.0	9.3	4.8	6.0	13.5	0.8
157 C	114127	9.0 – 11.0	6.5	11.3	5.3	6.5	17.0	0.8
157 D	114128	11.0 – 13.0	6.5	13.3	5.8	6.5	19.0	0.9
157 E	114129	13.0 – 15.0	7.0	15.3	6.3	7.0	21.5	1.0
157 F	114130	14.0 – 17.0	7.0	17.5	6.6	7.0	24.0	1.2
157 G	114131	17.0 – 20.0	7.5	20.5	7.6	7.5	27.0	1.2
157 H	114132	20.0 – 23.0	8.0	23.5	8.5	8.0	31.0	1.3
157 J	114133	22.0 – 25.0	8.5	25.5	9.1	8.5	33.0	1.4
157 K	114134	25.0 – 28.0	9.0	28.5	10.0	9.0	36.0	1.4
157 M	114135	28.0 – 31.0	9.0	31.5	10.6	9.0	39.0	1.4
157 N	114136	31.0 – 34.0	9.5	34.5	11.0	9.5	42.0	1.4
157 P	114137	34.0 – 37.0	9.5	37.5	11.5	9.5	46.0	1.6
157 R	114138	37.0 – 40.0	10.0	40.5	12.0	10.0	49.0	1.6
157 S	114139	40.0 – 43.0	10.0	43.5	12.5	10.0	53.0	1.6
157 T	114140	43.0 – 46.0	10.5	46.5	13.0	10.5	56.0	1.6